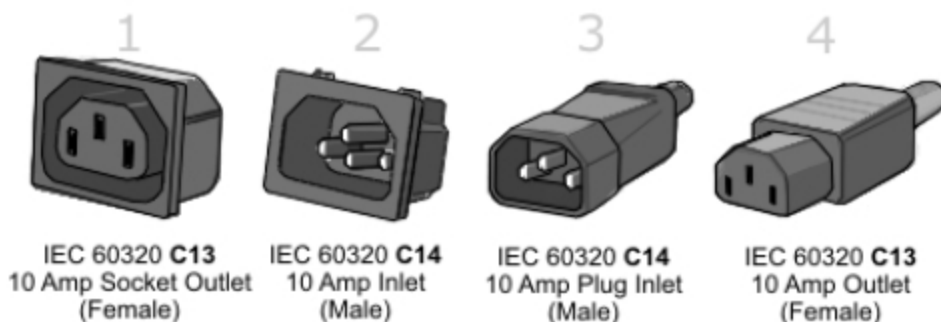
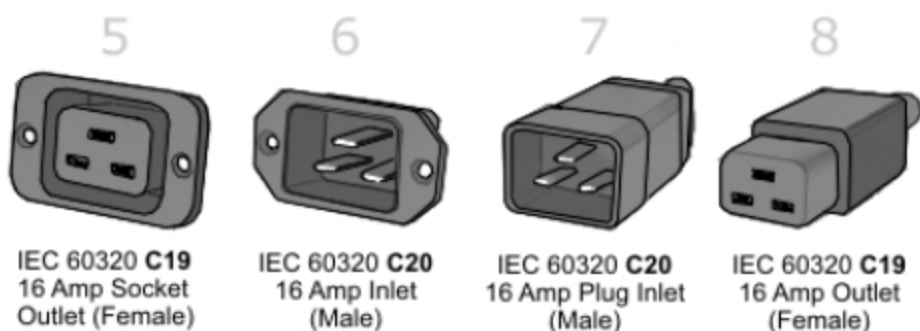


The following document details the common plug & socket types used on and available for most power distribution devices in the UK.

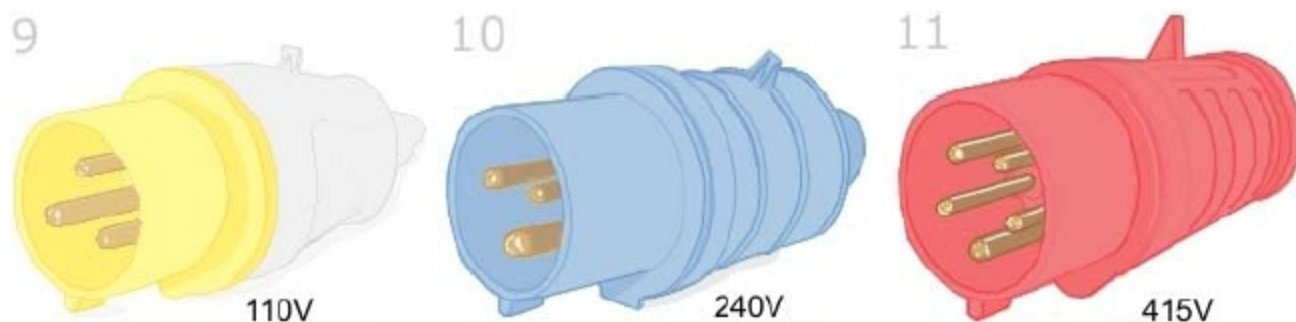
IEC 60320 – Panel Mounted & Cable Mounted



16 Amp IEC – Panel Mounted & Cable Mounted



BS4343 (Commando)

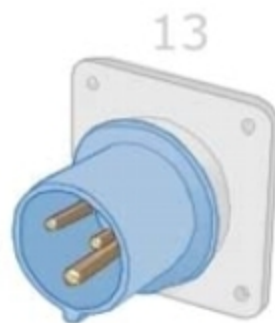


Panel Mounted

Cable Mounted



16 Amp 240V 2P+E BS4343
Socket Outlet (Female)



16 Amp 240V 2P+E BS4343
Inlet (Male)



16 Amp 240V
2P+E BS4343
Plug Inlet (Male)



16 Amp 240V
2P+E BS4343
Socket Outlet (Female)

32 Amp Panel Mounted & Cable Mounted



32 Amp 240V
2P+E BS4343
Socket Outlet (Female)



32 Amp 240V
2P+E BS4343
Inlet (Male)



32 Amp 240V
2P+E BS4343
Plug Inlet (Male)



32 Amp 240V
2P+E BS4343
Socket Outlet (Female)

If you cannot find the information you require within this document please phone us.